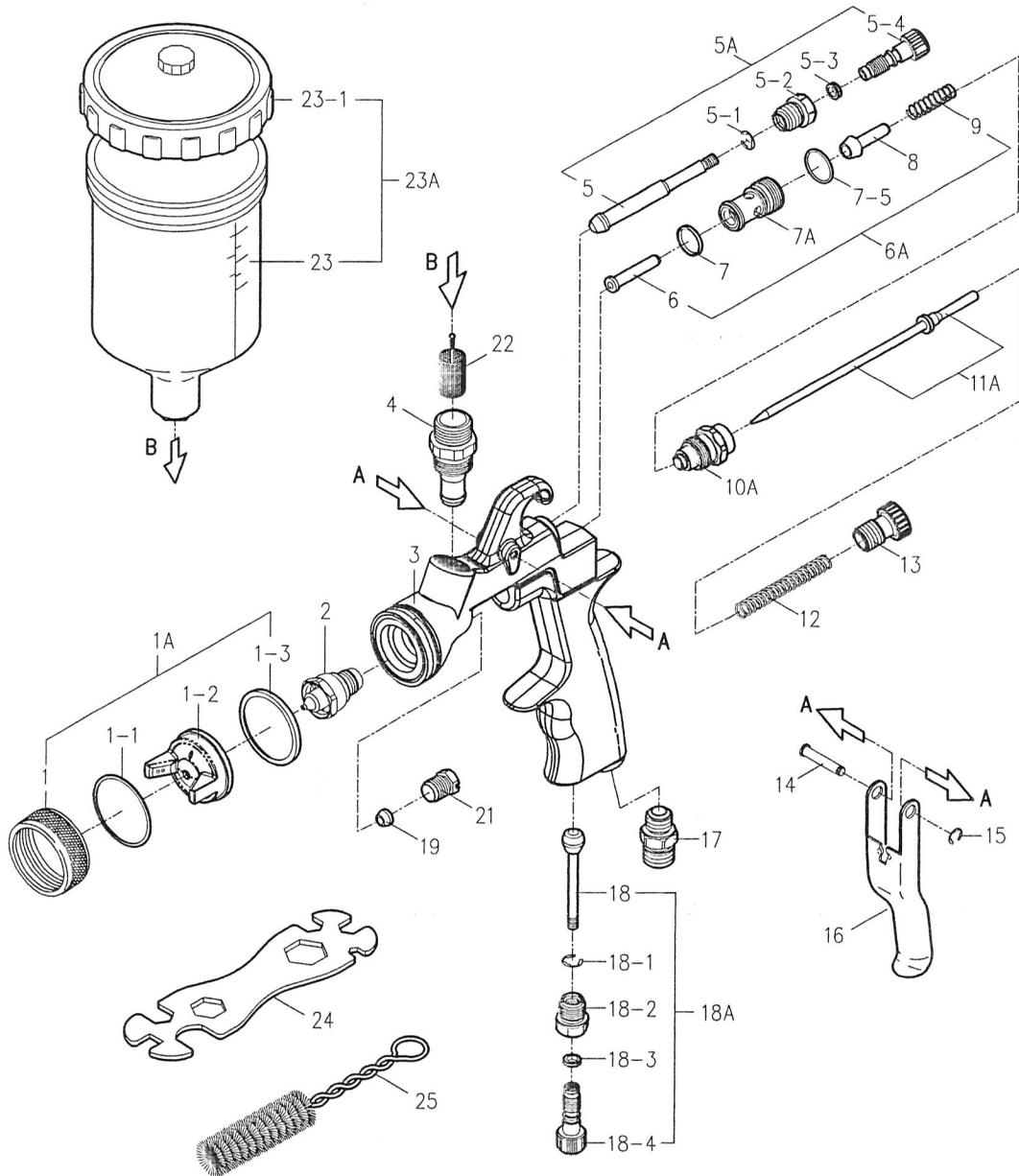


K-515M Conventional Spray Gun
KH-515M H.V.L.P. Spray Gun
KL-515M L.V.L.P. Spray Gun



No.	Description	No.	Description
1A	Air Cap Set	16	Trigger
1	Cap Ring	17	Air Inlet
1-1	Gasket	18A	Air Regulator Set
1-2	Air Cap	18	Valve Stem
1-3	Retainer	18-1	C-Ring
2	Fluid Nozzle	18-2	Nut Seat
3	Gun Body	18-3	O-Ring
4	Fluid Connector	18-4	Air Control Knob
5A	Pattern Control Assembly	19	Needle Packing
5	Valve Stem	21	Nut Seat
5-1	E-Ring	22	Filter
5-2	Valve Seat	23A	Nylon Gravity Cup
5-3	O-Ring	23	Cup
5-4	Control Knob	23-1	Cup Lid
6A	Paint Control Assembly	24	Spanner
6	Valve Stem	25	Brush
7	O-Ring		
7A	Valve Seat		
7-5	O-Ring		
8	Valve Stem		
9	Spring		
10A	Needle Guide Seat Set		
11A	Needle Set		
12	Spring		
13	Adjusting Knob		
14	Trigger Stud		
15	E-Ring		