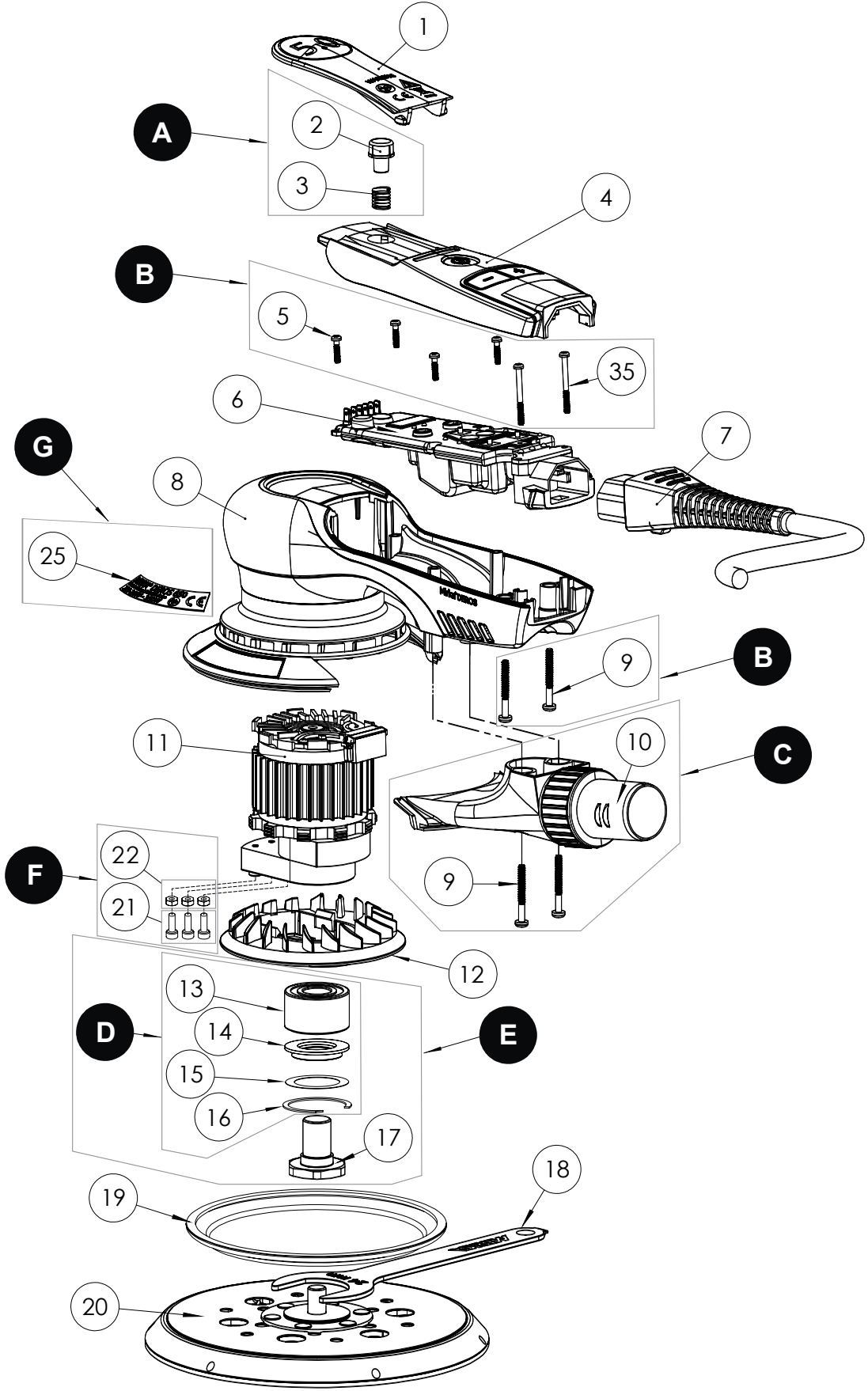


Exploded view of DEROS 125 mm & 150 mm (220–240V)

Updated 24.11.2021



DEROS 125mm & 150mm Spare Part kits (220-240V)

Electrical tool must be serviced by a qualified repair person and in accordance with national requirements.

Note! Repairs done by non-authorized repairer will breach the Mirka warranty.

| Mirka Code | Item | Description | Kit | Qty | Tightening Torque |
|---------------------|------|--|-----|-----|-------------------|
| MIE6520211 | | Start Button kit | | | |
| | 2 | Start Button | A | 1 | |
| | 3 | Start Button Spring | | 1 | |
| MIE6520511 | | Screw kit | | | |
| | 5 | Screw 2.5 x 10 mm | B | 4 | 0,6 Nm |
| | 9 | Housing Screw 3 x 25 mm | | 2 | 1,4 Nm |
| | 35 | Screw 2.5 x 25 mm | | 2 | 0,6 Nm |
| MIE6521011 | | Swivel Exhaust kit | | | |
| | 9 | Housing Screw 3 x 25 mm | C | 2 | 1,4 Nm |
| | 10 | Swivel Exhaust | | 1 | |
| MIE6536211 | | Bearing Dual Seal kit | | | |
| | 13 | Double Row Bearing | | 1 | |
| | 14 | Dual Seal | D | 1 | |
| | 15 | Washer | | 1 | |
| | 16 | Retaining Ring | | 1 | |
| MIE6536011 | | Spindle Bearing Dual Seal kit | | | |
| | 13 | Double Row Bearing | | 1 | |
| | 14 | Dual Seal | E | 1 | |
| | 15 | Washer | | 1 | |
| | 16 | Retaining Ring | | 1 | |
| | 17 | Spindle 5/16" | | 1 | |
| 8995690101 | | Balancing Screw kit | | | |
| | 21 | Screw M3.5 x 10 mm | F | 5 | |
| | 22 | Nut M3.5 mm | | 3 | |
| | | Hex Key 2.5 mm | | 1 | |
| MIE6565011 | 25 | Type Label kit EU (650) | | 10 | |
| MIE6522511 | 25 | Type Label kit EU (550, 625, 680) | | 30 | |
| MIE6522511CN | 25 | Type Label kit CN (625, 650) | G | 20 | |
| MIE6522511AN | 25 | Type Label kit ANZ (650, 680) | | 20 | |

Separate spare parts on next page.

DEROS 125mm & 150mm Spare Parts (220-240V)

| Mirka Code | Item | Description | Kit | Qty | Tightening Torque |
|--------------|------|--|-----|-----|-------------------|
| MIE6210111 | 1 | Lever 2,5 mm (77 & 150 mm) | | 1 | |
| MIE6510111 | 1 | Lever 5,0 mm (77, 125 & 150 mm) | | 1 | |
| MIE6810111 | 1 | Lever 8,0 mm (150 mm) | | 1 | |
| | 2 | Start Button | A | 1 | |
| | 3 | Start Button Spring | A | 1 | |
| MIE6510411 | 4 | Cover Plate | | 1 | |
| | 5 | Screw 2.5 x 10 mm | B | 4 | 0,6 Nm |
| MIE6510611 | 6 | Speed Controller* | | 1 | |
| MIE6510611CN | 6 | Speed Controller CN* | | 1 | |
| MIE9016011 | 7 | Rewireable Mains Cable 4,3m CE 230V EU | | 1 | |
| MIE9017011 | 7 | Rewireable Mains Cable 4,3m CE 230V UK | | 1 | |
| MIE9017111 | 7 | Rewireable Mains Cable 4,3m CE 230V CH | | 1 | |
| MIE9017511 | 7 | Rewireable Mains Cable 4,3m CE 230V ANZ | | 1 | |
| MIE9017611 | 7 | Rewireable Mains Cable 4,3m CE 230V ARG | | 1 | |
| MIE9017411 | 7 | Rewireable Mains Cable 4,3m 230V CN | | 1 | |
| MIE6520811 | 8 | Housing | | 1 | |
| | 9 | Housing Screw 3 x 25 mm | B,C | 2,2 | 1,4 Nm |
| | 10 | Swivel Exhaust | C | 1 | |
| MIE5521111 | 11 | Motor 5,0 mm/100 g Pad (125 mm)* | | 1 | 25 Nm |
| MIE6221111 | 11 | Motor 2,5 mm/130 g Pad (150 mm)* | | 1 | 25 Nm |
| MIE6521111 | 11 | Motor 5,0 mm/130 g Pad (150 mm)* | | 1 | 25 Nm |
| MIE6821111 | 11 | Motor 8,0 mm/130 g Pad (150 mm)* | | 1 | 25 Nm |
| MIE65111B1 | 11-B | Ground Wire | | 1 | |
| MIE5511211 | 12 | Fan 5,0 mm/100 g Pad (125 mm) | | 1 | |
| MIE6211211 | 12 | Fan 2,5 mm/130 g Pad (150 mm) | | 1 | |
| MIE6511211 | 12 | Fan 5,0 mm/130 g Pad (150 mm) | | 1 | |
| MIE6811211 | 12 | Fan 8,0 mm/130 g Pad (150 mm) | | 1 | |
| | 13 | Double Row Bearing | D,E | 1 | |
| | 14 | Dual Seal | D,E | 1 | |
| | 15 | Washer | D,E | 1 | |
| | 16 | Retaining Ring | D,E | 1 | |
| 8995603201 | 17 | Spindle 5/16" | E | 1 | |
| 8995604121 | 18 | Pad Wrench 24mm | | 1 | |
| 8995603211 | 19 | Brake Seal | | 1 | |
| 8292502011 | 20 | Backing Pad Net 125 mm 5" 5/16" 28H Medium 100 g | | 1 | |
| 8292502511 | 20 | Backing Pad Net 125 mm 5" 5/16" 28H Medium 130 g | | 1 | |
| 8292605011 | 20 | Backing Pad Net 150 mm 6" 5/16" 48H Medium 130 g | | 1 | |
| | 21 | Screw M3.5 x 10 mm | F | 5 | |
| | 22 | Nut M3.5 mm | F | 3 | |
| | 25 | Type Label | G | 1 | |
| | 35 | Screw 2.5 x 25 mm | B | 2 | 0,6 Nm |

* Spare parts only available to authorized repairers.